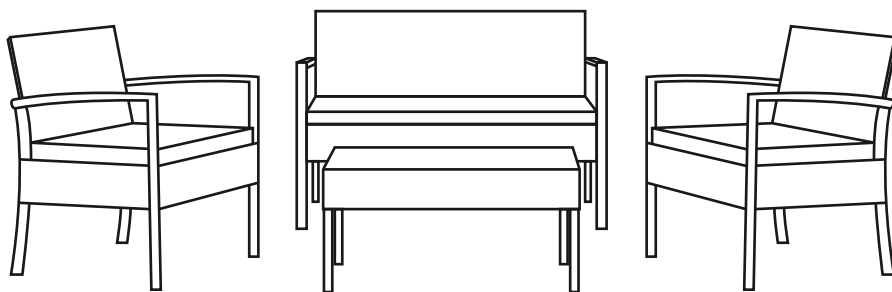


INSTRUKCJA MONTAŻU

Zestaw mebli SYCYLIA

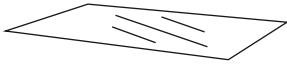


 **vimar**
home & garden collection

F.H.U. „VIMAR” Sp. z o.o., Krasne 25 D, 36-007 Krasne
tel./fax +48 17 864 12 68, tel. +48 530 544 107, www.vimar.com.pl

PARTS AND HARDWARE (Coffee Table)

Avoid using sharp objects such as a knife to cut open packing as you may accidentally damage the upholstery.



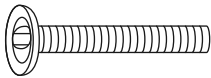
A. Glass Table Top
1x



B. Side Panel
2x



C. Front / Back Panel with Legs
2x



D. Bolt M6 x40
8x



E. Washer
8x

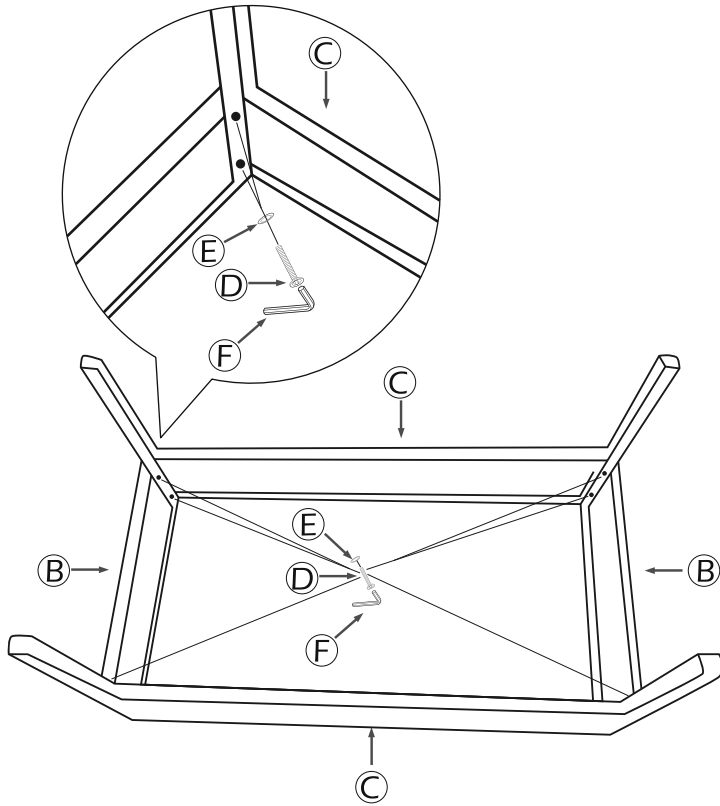


F. Allen Key
1x

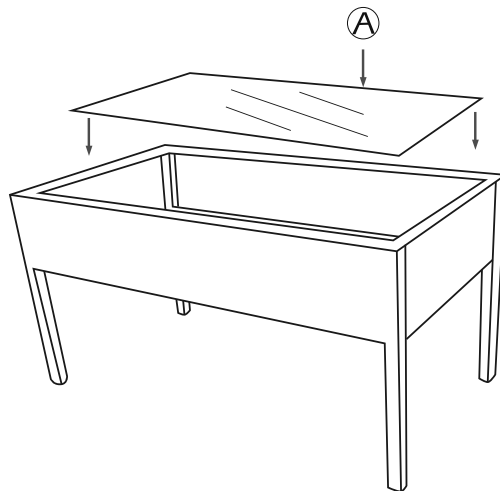
ASSEMBLY INSTRUCTIONS (Coffee Table)

Do not fully tighten bolts until assembly is complete.

1



2 Place glass Table top on assembled coffee table



PARTS AND HARDWARE (Loveseat)

Avoid using sharp objects such as a knife to cut open packing as you may accidentally damage the upholstery.



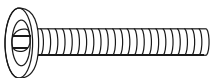
A. Backrest
1x



B. Seat
1x



C. Arm
2x



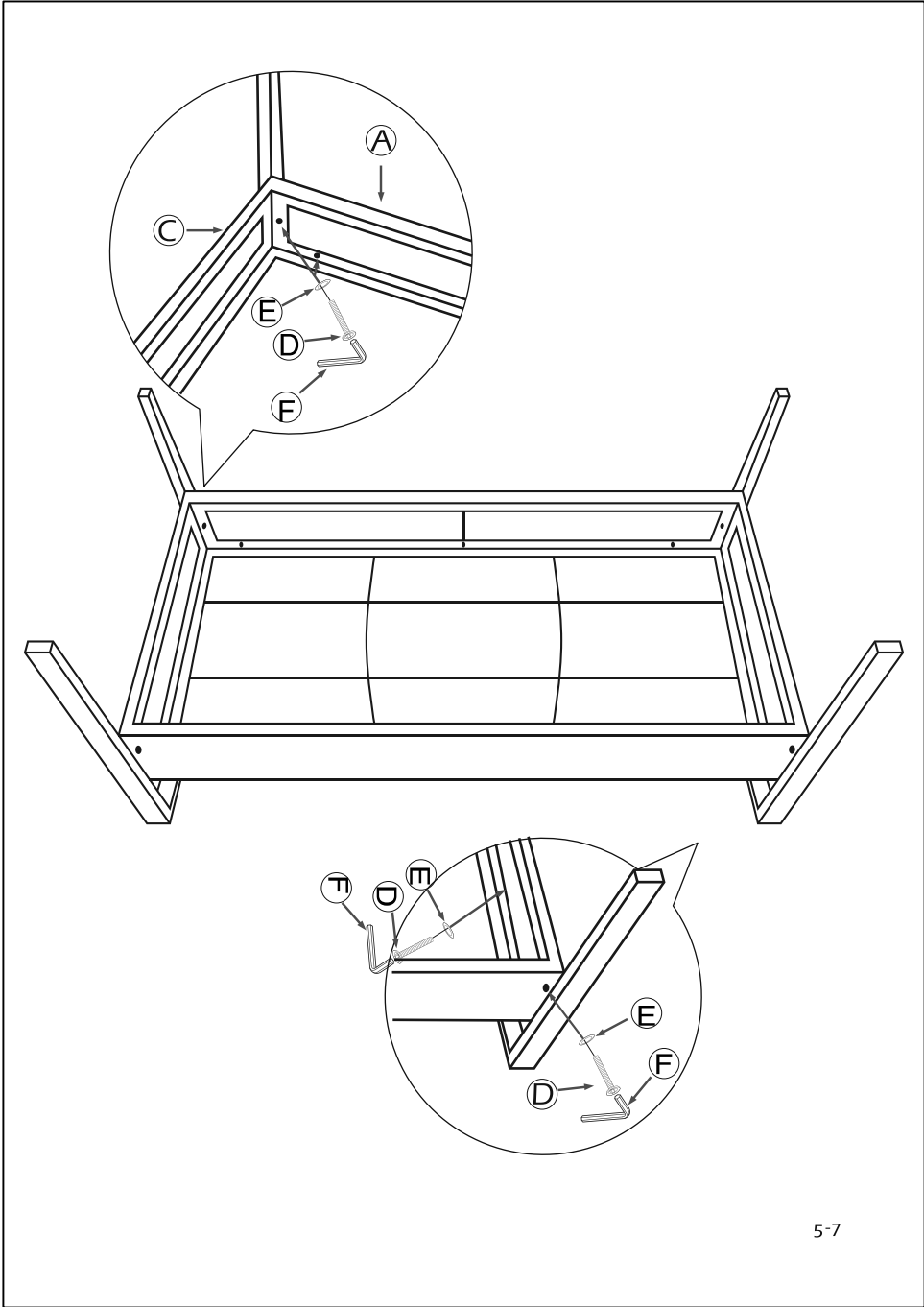
D. Bolt M6 x 40
11 x



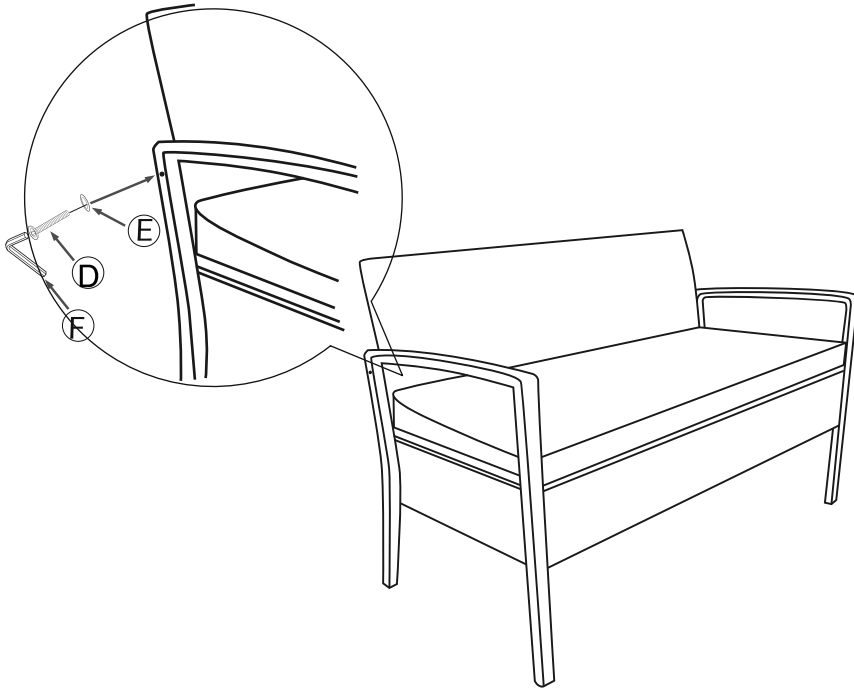
E. Washer
11 x



F. Allen Key
1x



2

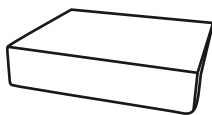


PARTS AND HARDWARE (Chair)

Avoid using sharp objects such as a knife to cut open packing as you may accidentally damage the upholstery.



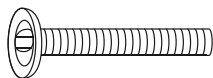
A. Backrest
1x



B. Seat
1x



C. Arm
2x



D. Bolt M6 x 40
10 x

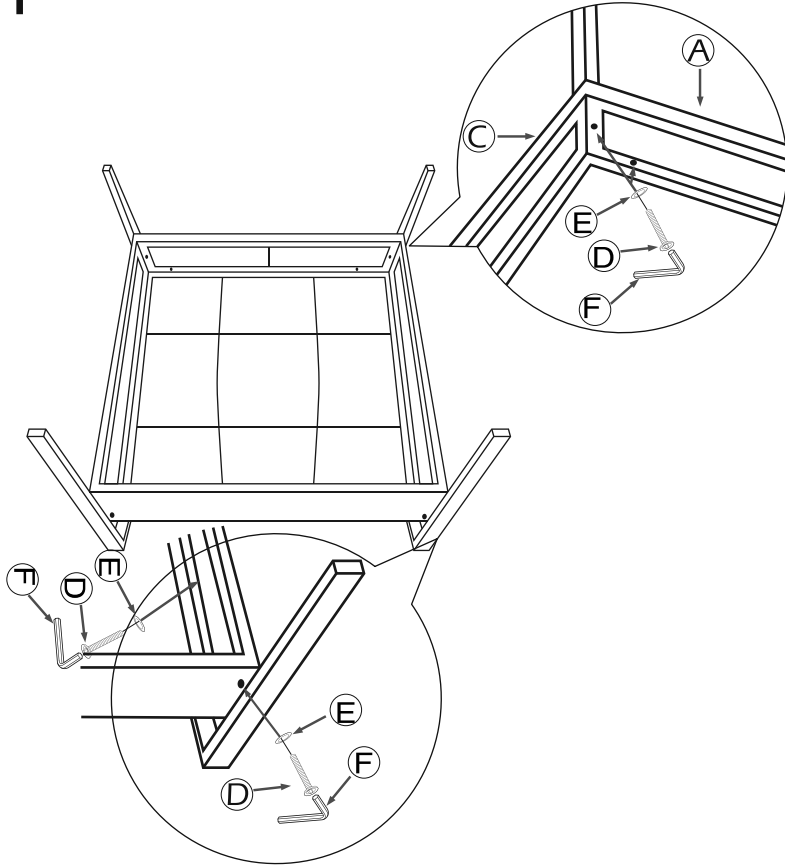


E. Washer
10 x

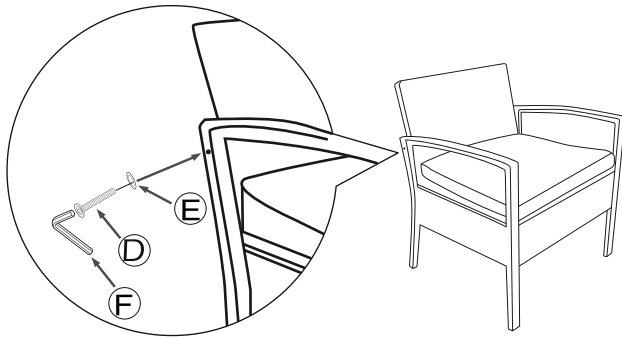


F. Allen Key
1x

1



2



*Repeat steps 1-2 for for the second Single Seater.

