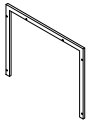
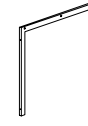
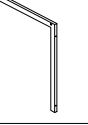

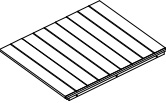
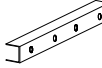
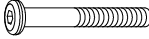
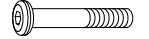









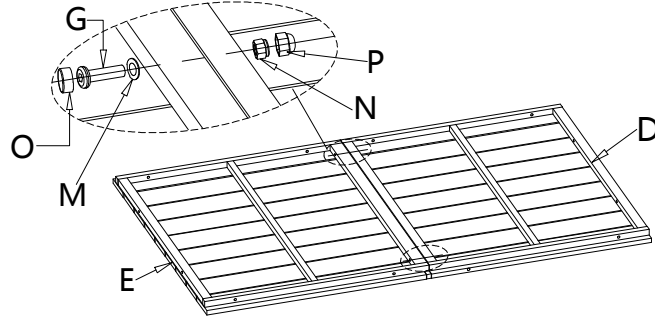


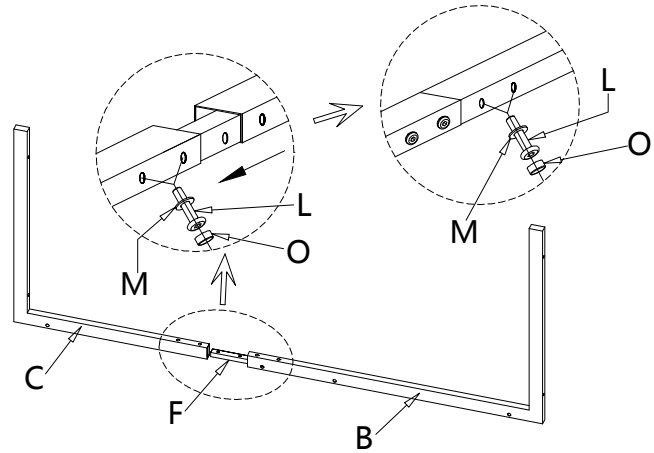
ASSEMBLY INSTRUCTIONS

A		2
B		2
C		2
D		1
E		1
F		2
G	 M6x85mm	2
H	 M6x55mm	8
J	 M6x45mm	4
K	 M6x35mm	8
L	 M6x12mm	8
M	 φ13xφ6.5x1.0mm	30
N	 M6	2
O	 φ13mm	30
P	 M6	2
		1
		1

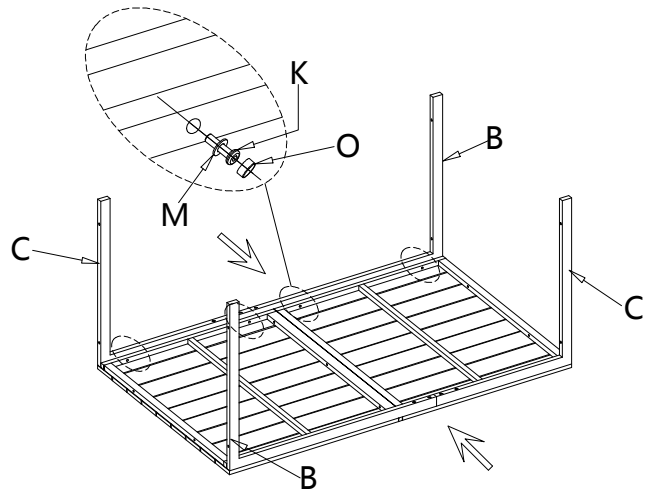
Step 1



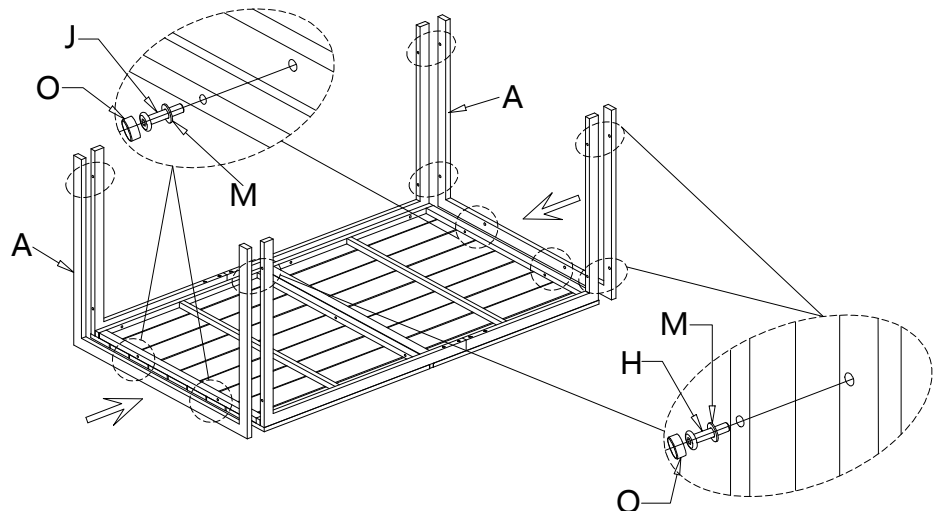
Step 2



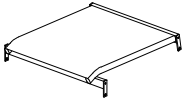
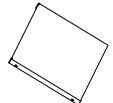

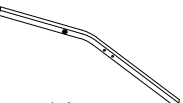
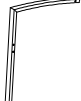
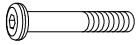








Step 3



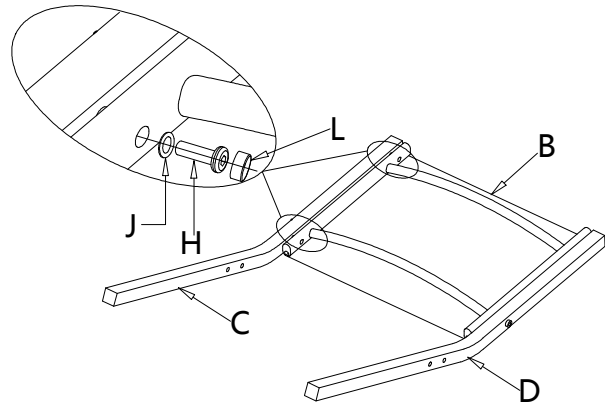
Step 4



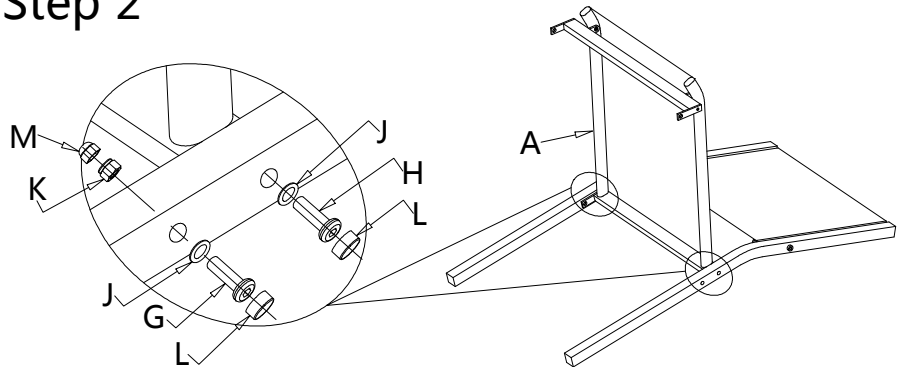
ASSEMBLY INSTRUCTIONS

A	 Seat	1
B	 Back	1
C	 Left Leg	1
D	 Right Leg	1
E	 Armrest	2
F	 M6x55mm	6
G	 M6x40mm	2
H	 M6x35mm	6
J	 Ø13xØ6.5x1.0mm	14
K	 M6	4
L	 Ø13mm	14
M	 M6	4
	 1	1
	 1	1

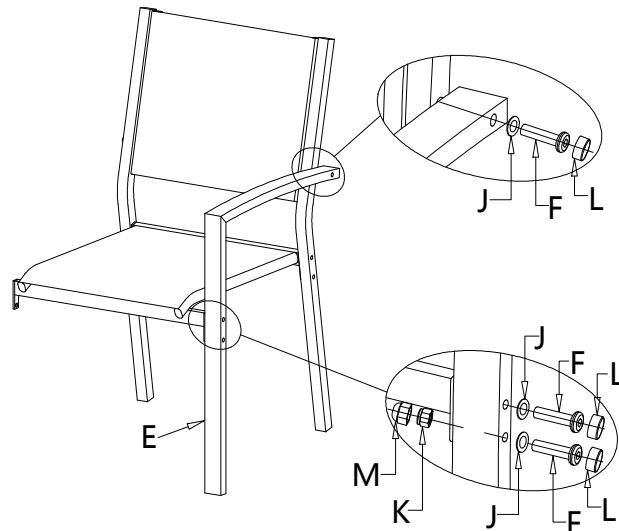
Step 1



Step 2



Step 3



Step 4

