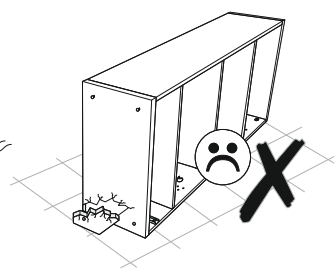
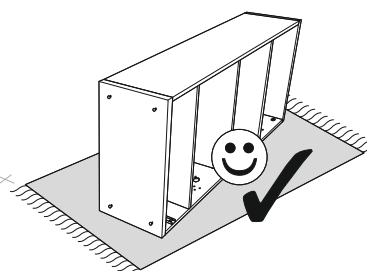
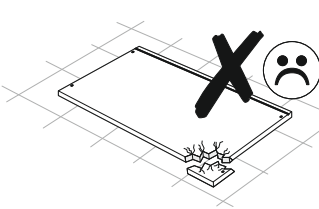
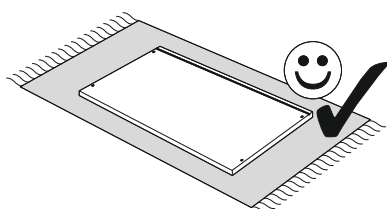
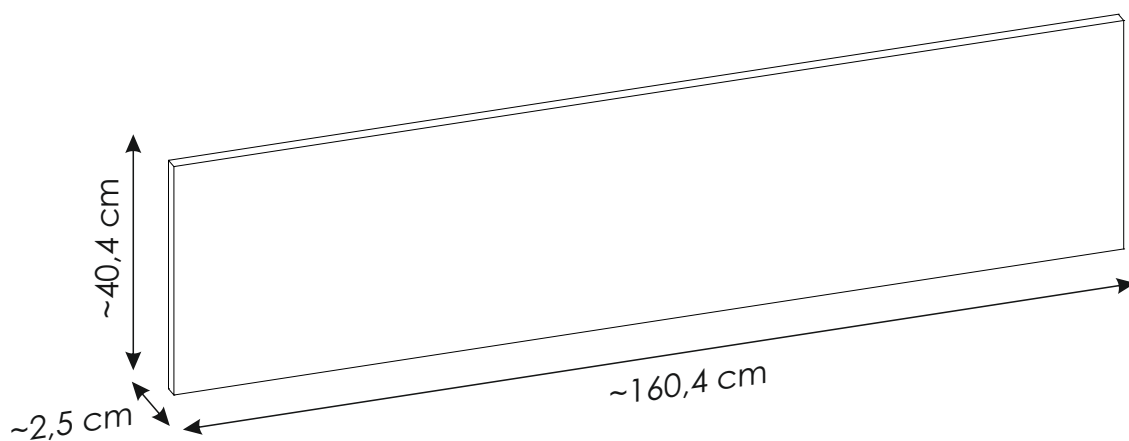
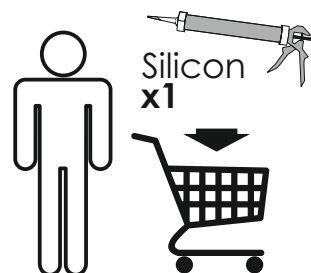
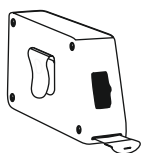
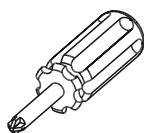
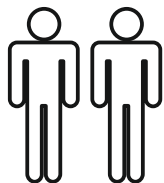
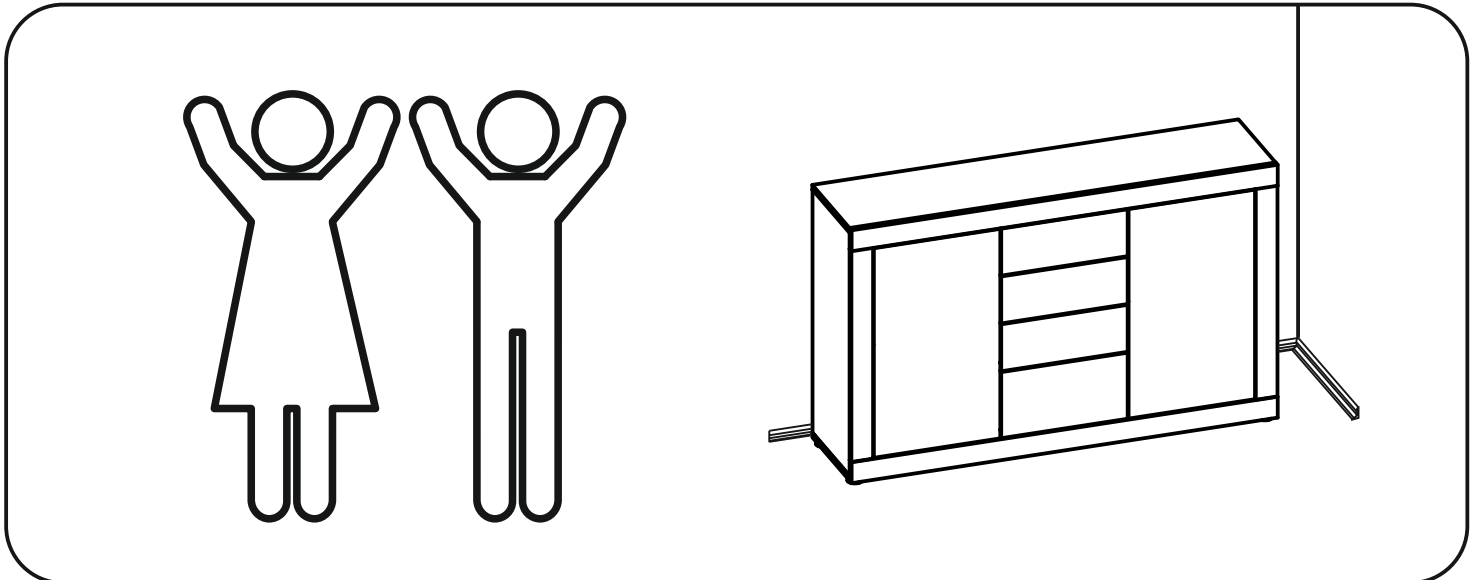
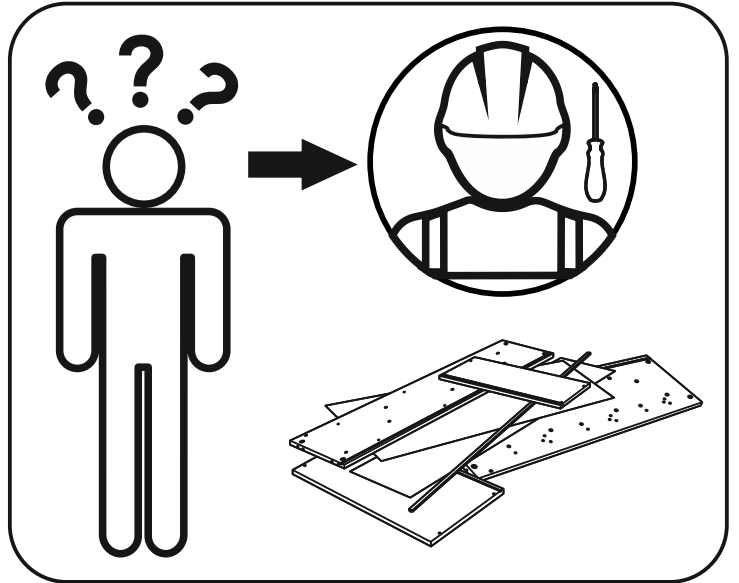
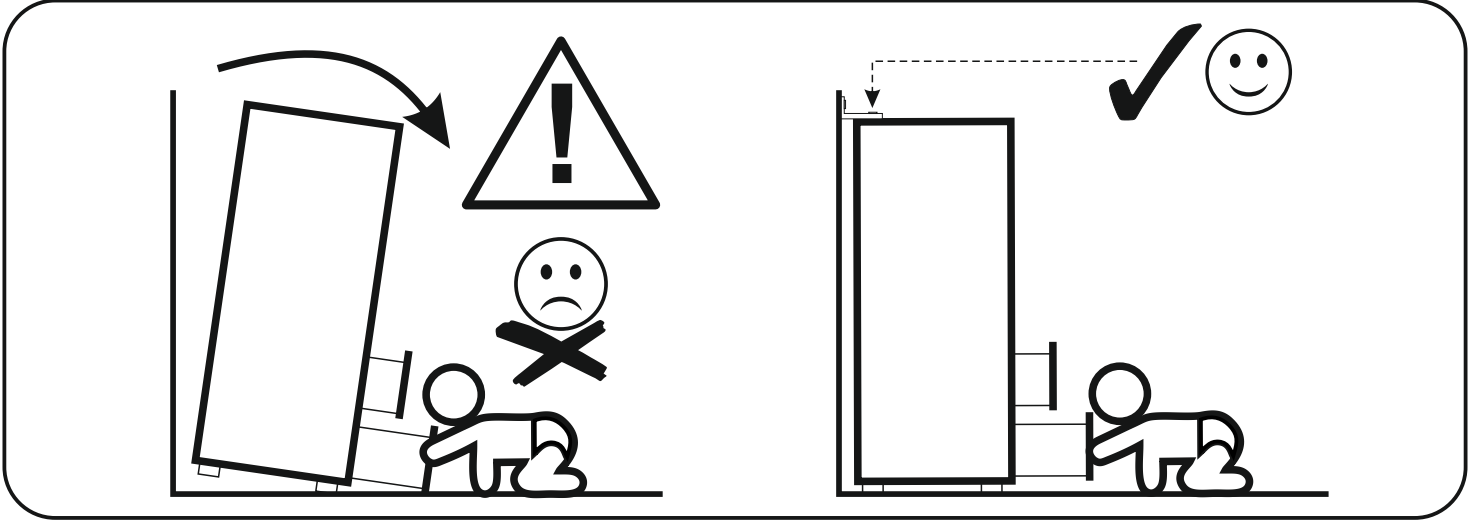
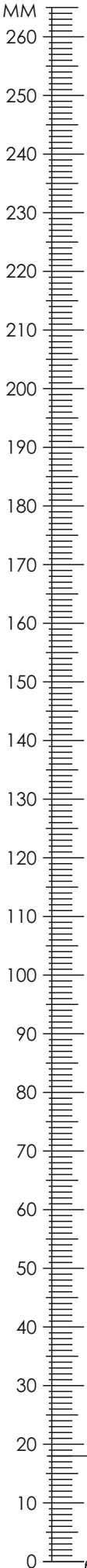


TYP 004-89-160-A






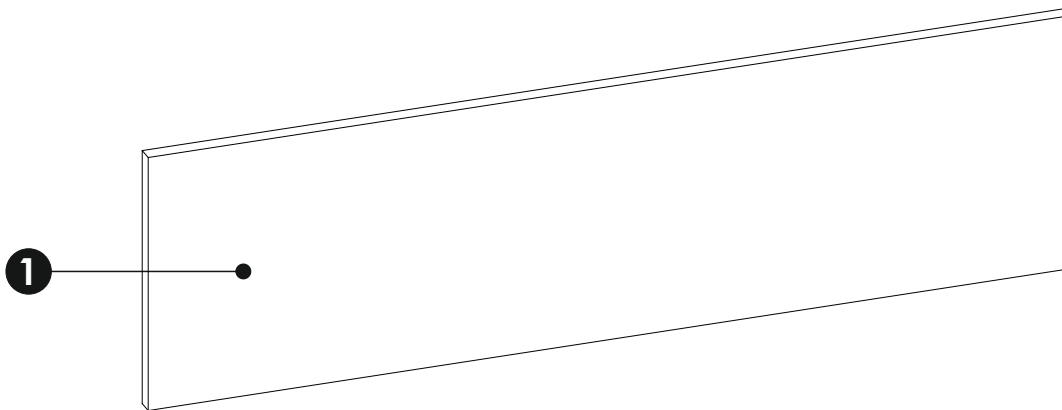
TYP 004-89-160-A



N5	3,5 x 16 mm	x24	Q8	x12
-----------	-------------	-----	-----------	-----



The table lists two types of hardware. The first is a screw (N5) with dimensions 3,5 x 16 mm, required in a quantity of 24. The second is a bracket (Q8), required in a quantity of 12. Below the table, there are small icons of a screw and a bracket.

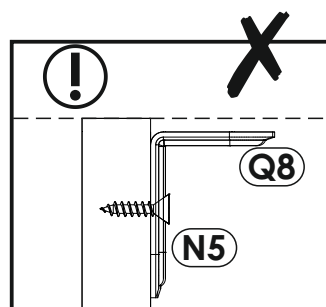
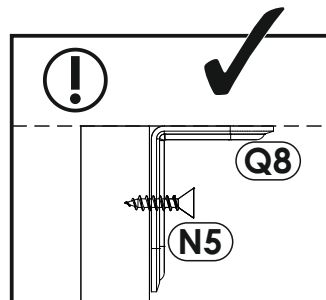
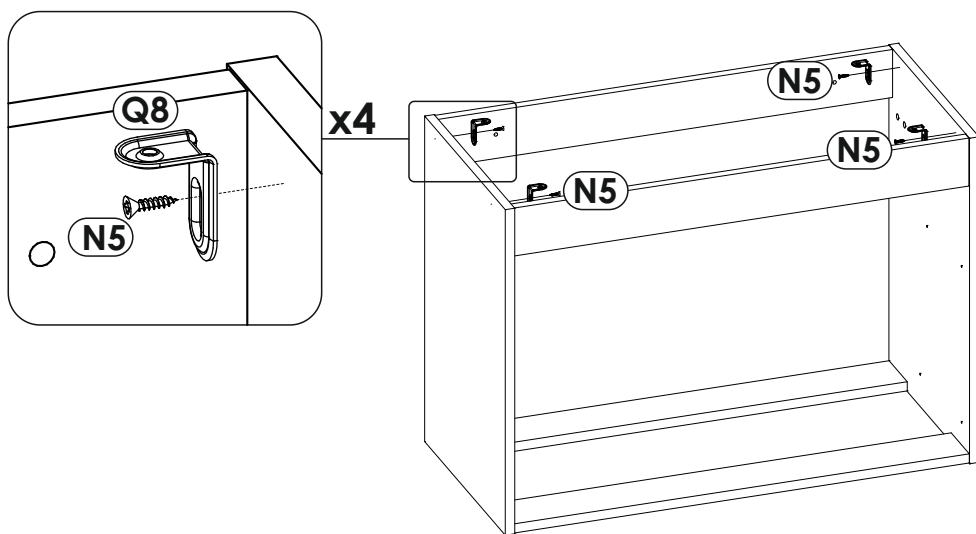


1	1404	400	25	x1	1/1
----------	------	-----	----	----	-----

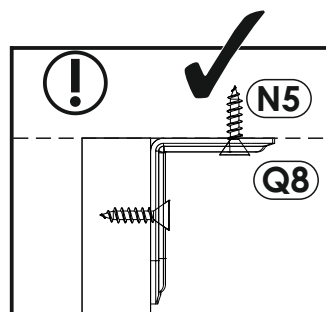
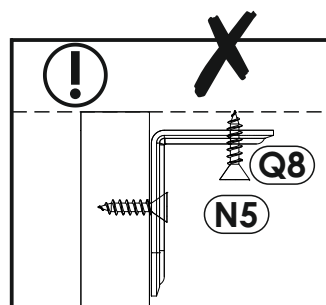
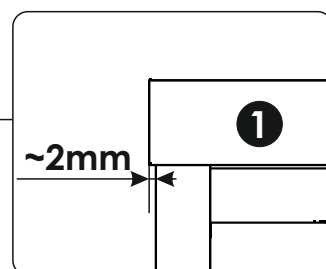
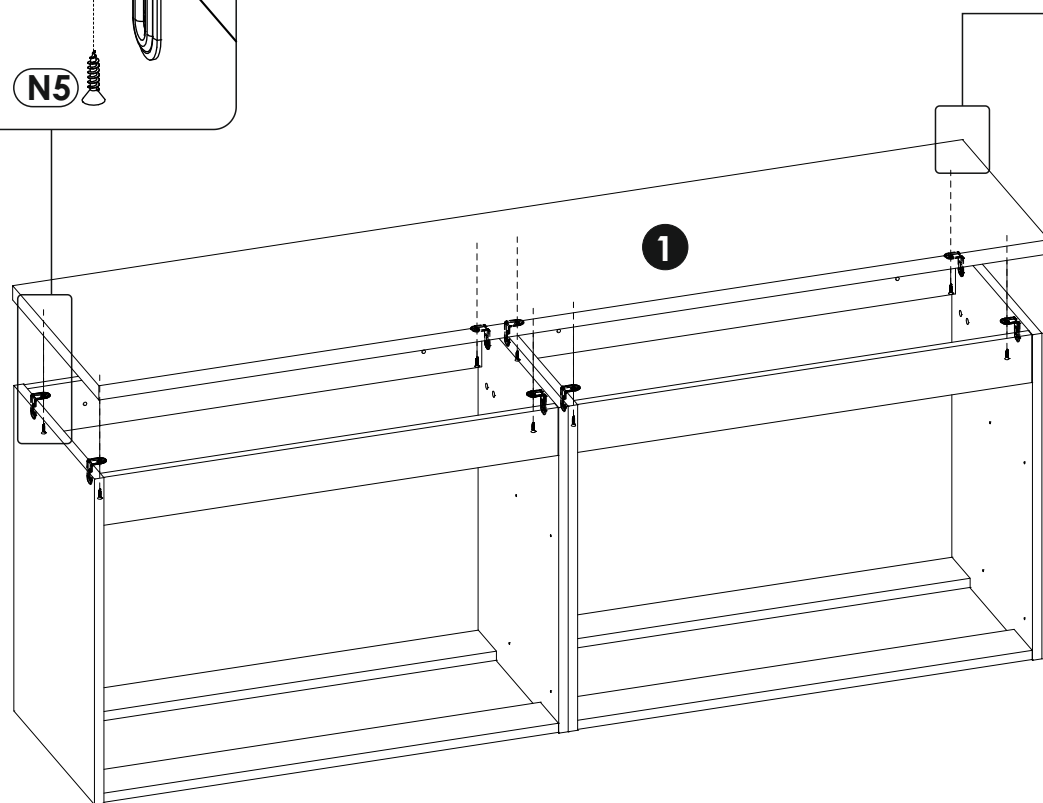
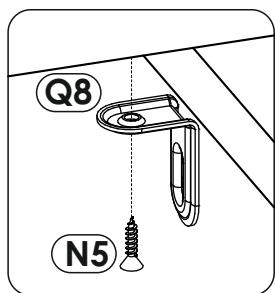


1 ▶

x2



2 ▶



3 ▶

