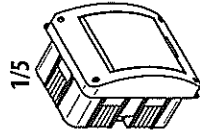
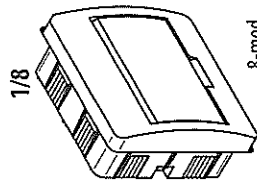


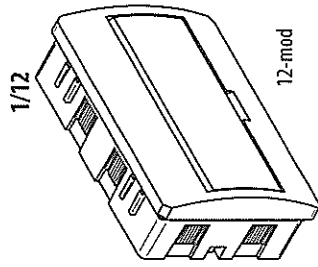
## Flush mounted enclosures



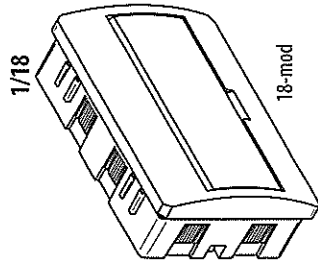
5-mod



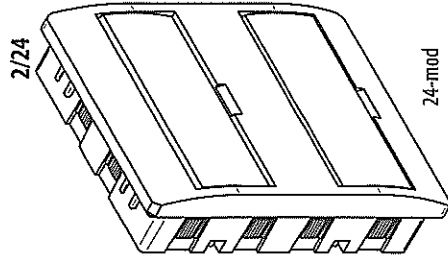
8-mod



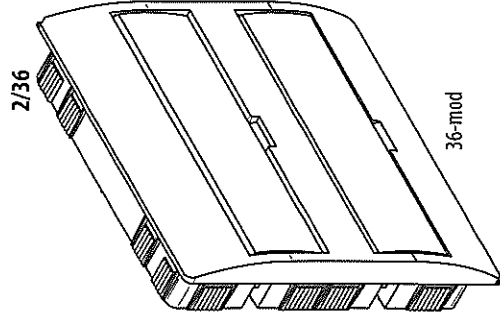
12-mod



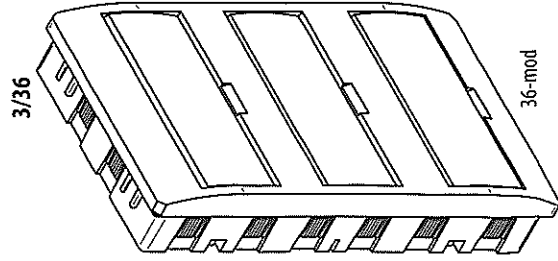
18-mod



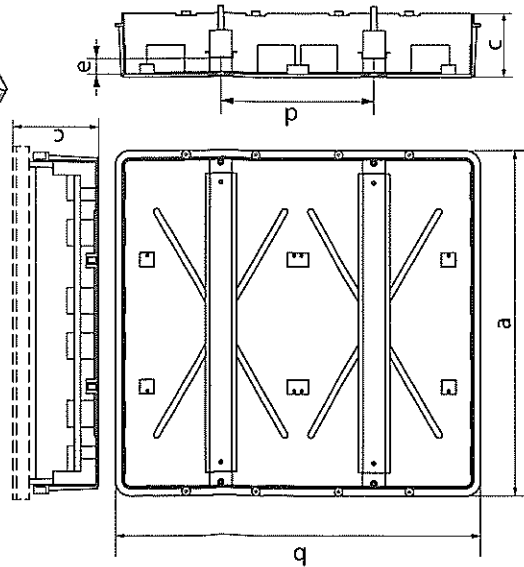
24-mod



36-mod



36-mod



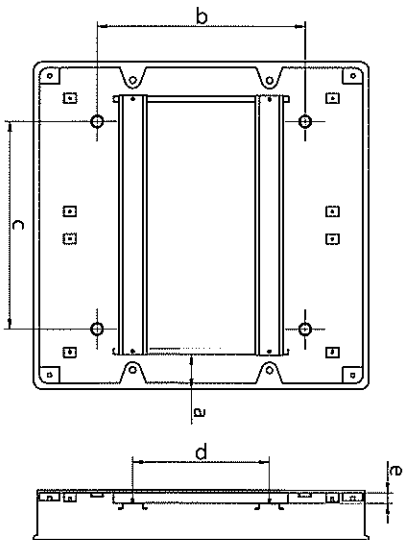
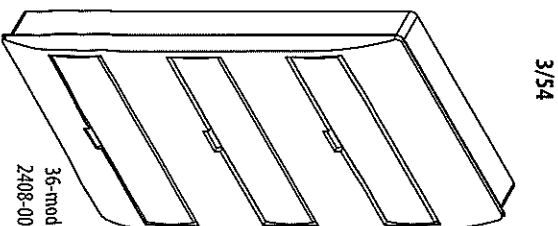
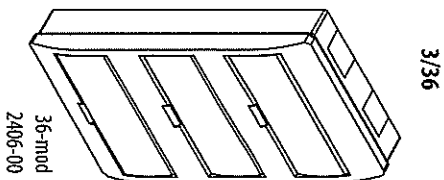
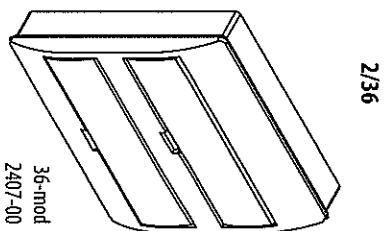
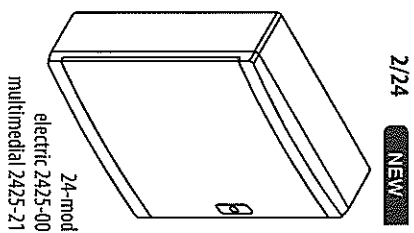
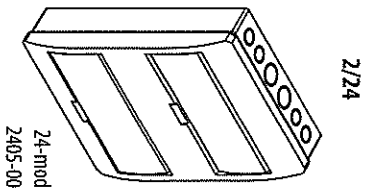
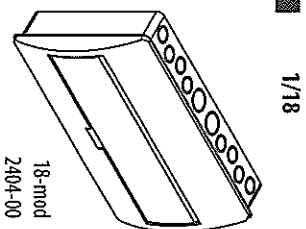
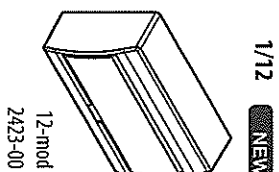
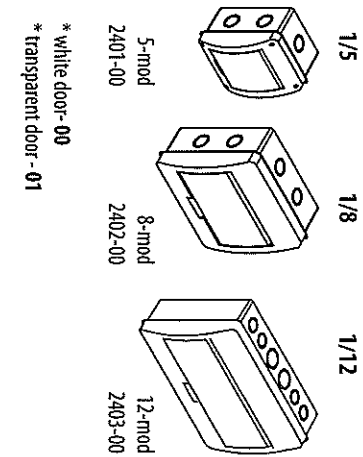
[mm]	1/5	1/8	1/12	1/18	2/24	2/36	3/36
a	105	182	300	386	286	390	286
b	145	182	206	235	375	410	535
c	102	105	113	105	101	105	105
d					150	170	150
e	18	22	25	16	18	10	10

[mm]	1/5	1/8	1/12	1/18	2/24	2/36	3/36
A	116	196	302	410	303	410	303
B	156	196	212	260	407	430	550
C	35	35	35	35	35	35	35
D	67	70	78	70	67	70	70

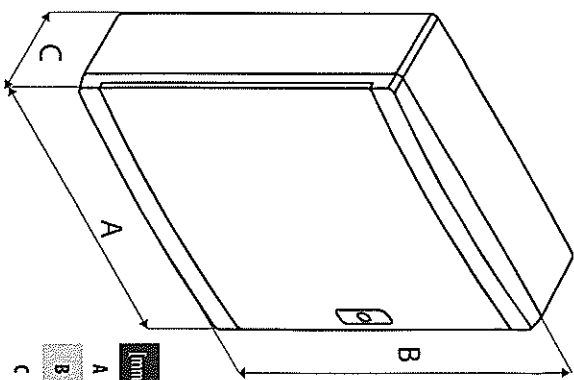
# ELEKTRO-PLAST IP 40

[www.elektro-plast.com.pl](http://www.elektro-plast.com.pl)

## Surface mounted enclosures



	1/5	1/8	1/12	NEW 1/12	NEW 1/18	2/24	NEW 2/24	NEW 2/36	3/36	3/54
a	26	25	30	30	31	23	31	31	31	32
b	112	140	142	162	192	286	186	278	416	436
c	72	140	258	188	340	230	272	268	208	268
d	-	-	-	-	150	125	170	150	170	-
e	7	5	10	10	10	11	11	13	13	13
f	73	73	73	73	73	73	74	73	73	73



	1/5	1/8	1/12	NEW 1/12	NEW 1/18	2/24	NEW 2/24	NEW 2/36	3/36	3/54
A	116	195	303	298	410	303	410	303	350	410
B	156	195	214	198	260	406	310	430	550	600
C	90	90	98	96	96	96	104	96	98	96

**epn**  
ELEKTRO-PLAST  
NASIELSK

**ISO 9001**  
**IP 40**



**ELEKTRO-PLAST TADEUSZ CZACHOROWSKI SPÓŁKA JAWNA**  
ul. Płofiska 18, 05-190 Nasielk  
Made in Poland  
[www.elektro-plast.com.pl](http://www.elektro-plast.com.pl)  
tel: +48 (23) 69 33 900  
fax: +48 (23) 69 33 902  
e-mail: [info@elektro-plast.com.pl](mailto:info@elektro-plast.com.pl)